

Box contents

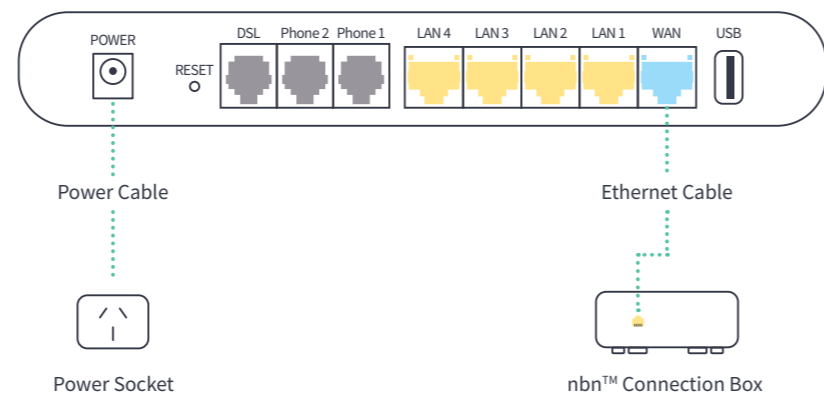
- 2 x Phone cables
- 2 x Ethernet cables
- 1 x Power adaptor
- 1 x DSL filter (ADSL customers only)

1. Connect me

- Look for the coloured sticker on my box. Plug in the cables as per the setup instructions that match your sticker.
- Turn me on. I will take around 15 minutes to configure.
- Think about all the things you need to google while you wait.

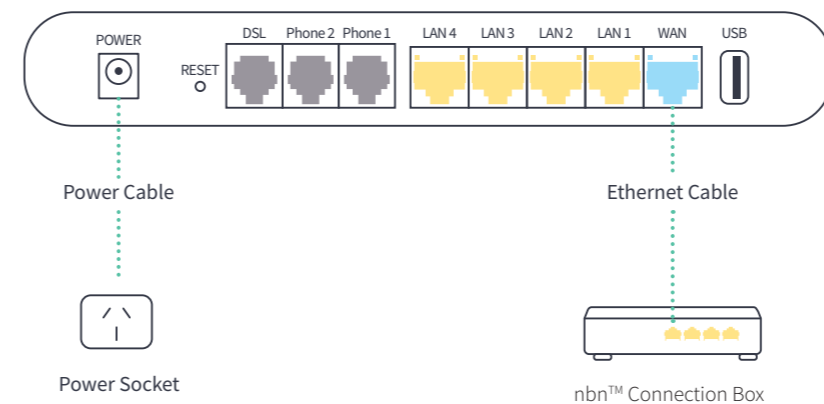
Setup instructions

Hybrid Fibre Coaxial (HFC) or Fibre to the Curb (FTTC)*

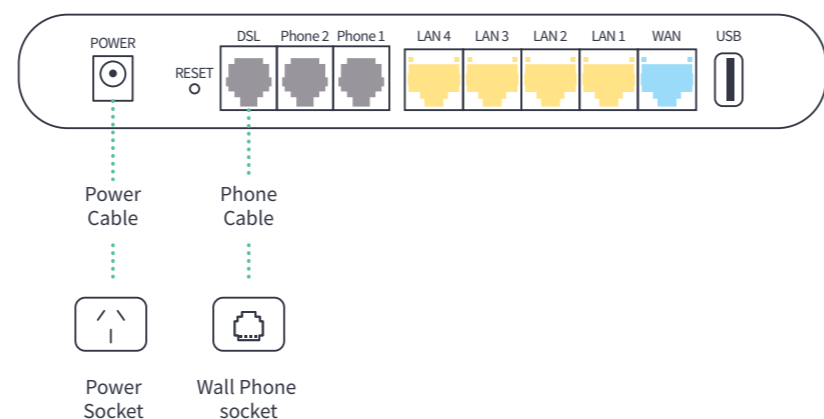


*See FTTC or HFC guide that came with your package.

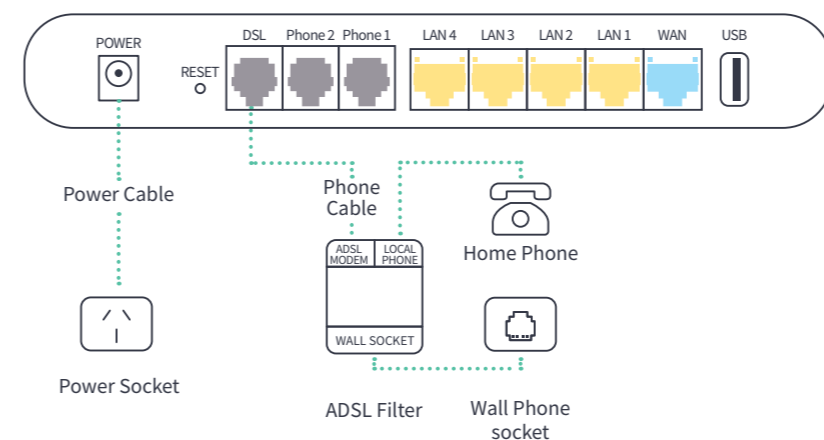
Fibre to the Premise (FTTP) or Fixed Wireless (FW)



Fibre to the Node (FTTN) or Fibre to the Building (FTTB)

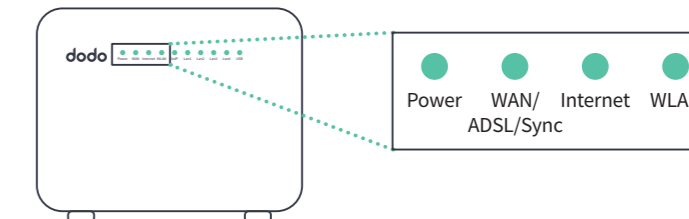


ADSL



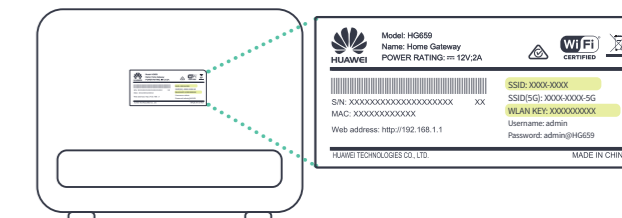
2. 15 minutes later

My lights should be on!

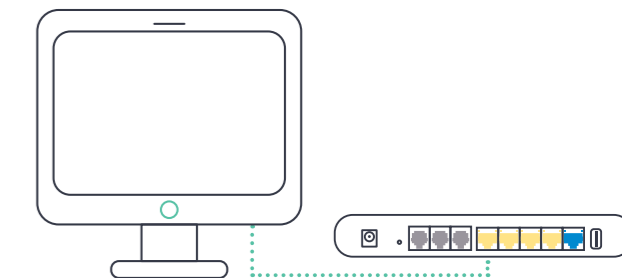


3. Connect your device

Wi-Fi
Find the 'SSID' written on the back of me. This is your network name. To connect via Wi-Fi, select this network on your device. The 'WLAN Key' is your password.



Cable
To connect me to a device, like a laptop or computer, plug the supplied ethernet cable into one of the yellow LAN ports on the back of me.

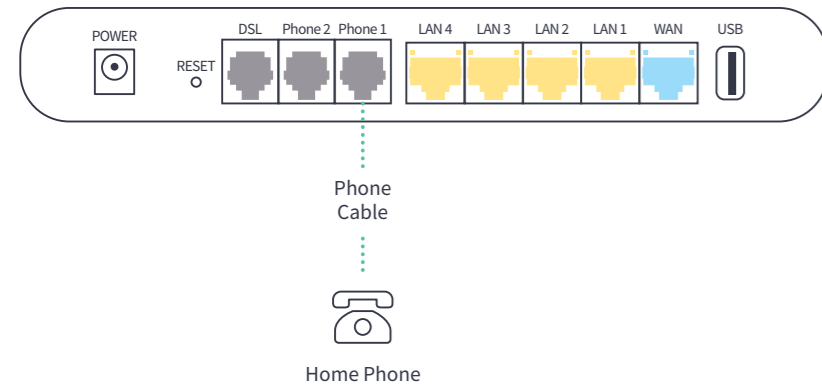


4. Phone service is active

If you have selected an nbn™ home phone, your phone will not work with the standard phone socket. Instead, it will now work via the internet - it's called VoIP (Voice over Internet Protocol). The good thing is you keep your phone number. Awesome!

Your home phone generally takes 24 hours or so to be ready. You will receive an SMS from us letting you know when your phone service is active, just follow the easy steps below:

- Check the diagram and make sure the cables are plugged in correctly.
- Switch me off, wait 2 minutes, then turn me back on.
- It takes about 10 minutes for the WAN internet and VoIP lights to switch on. You are now ready!



If you have NOT selected an nbn™ home phone with your nbn™ connection, your phone line will no longer work.

If you still require a phone line please contact us on **13 36 36**.

Having problems?

Your internet isn't working

Make sure that all the cables are connected properly, then turn me off and back on again. Wait 15 minutes while I configure, then type in your favourite website to check the connection.

Your Wi-Fi isn't working

Turn me off and back on again. Try to connect again and make sure that you're using the right password printed on the back of me, your modem. Be careful, it's case sensitive.

Dodo to the rescue!

Contact us

Live Chat

www.dodo.com

7 days, 9am to 10pm (AEST)

Tech Support

13 dodo (13 36 36)

Monday to Friday 8am -11pm (AEST)

Saturday to Sunday 8am - 10pm (AEST)

Online Self-Service

www.dodo.com/support

Feeling crafty?

Here's a great way to upcycle the box I came in!

Kitty Carnival



- Place several cat toys and balls into box and close lid.



- Cut several holes slightly smaller than the toys.

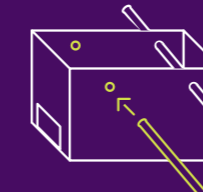


- Lure the neighborhood cats.

Table-top Foosball



- Remove lid, cut rectangles at opposing sides and two small circles on the other sides.



- Slide wooden dowell into holes.



- Cut player out from left over cardboard and stick into the centre of the dowell, add ball and play.

How to set me up

dodo