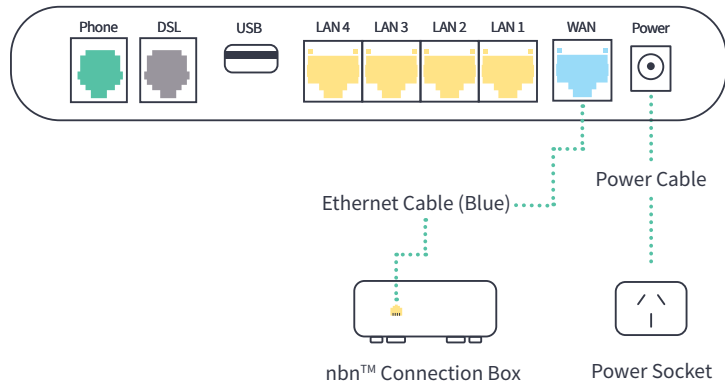


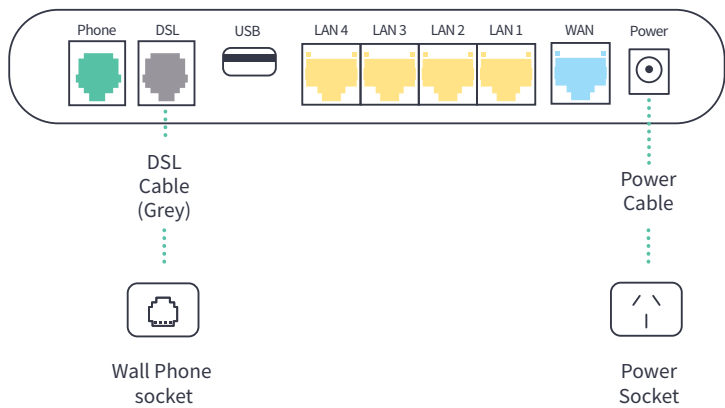
Set-up instructions

Hybrid Fibre Coaxial (HFC) or Fibre to the Curb (FTTC)*

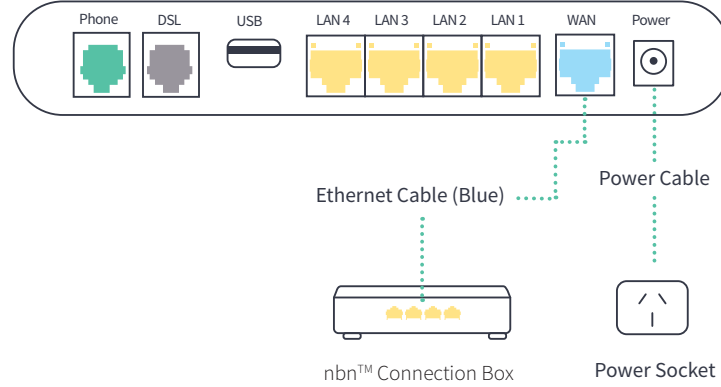


***Important:** These nbn™ technologies require two devices to work. Refer to the HFC or FTTC guides provided by nbn for instructions on how to set up the nbn™ Connection Box.

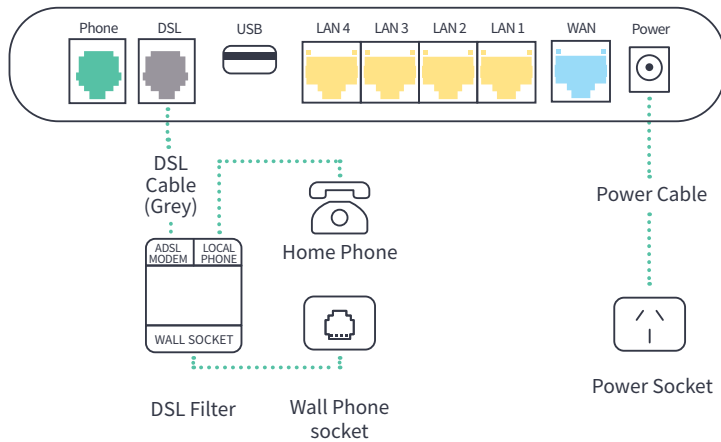
Fibre to the Node (FTTN) or Fibre to the Building (FTTB)



Fibre to the Premise (FTTP) or Fixed Wireless (FW)

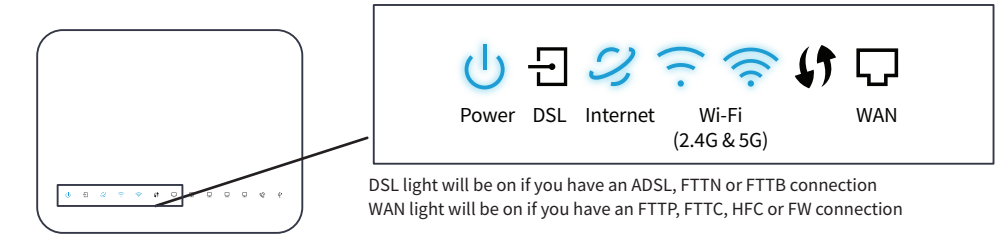


ADSL



2. Wait for the blue lights

These lights should be illuminated on the front of the modem.

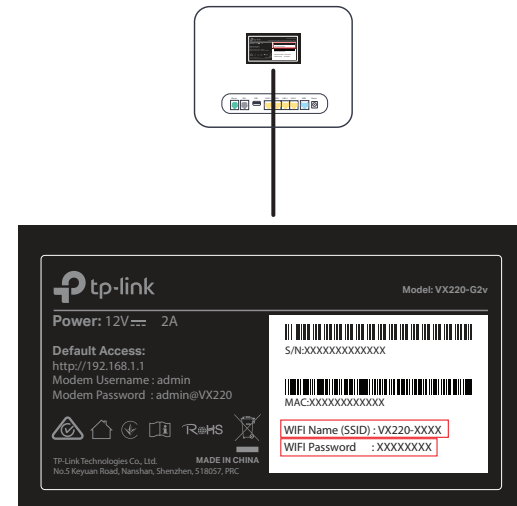


3. Connect your devices

Connect wirelessly (Wi-Fi)

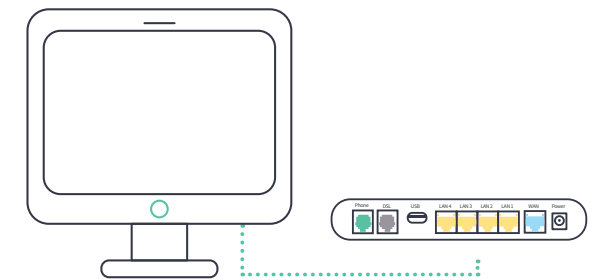
Find the Wi-Fi Name and Wi-Fi Password printed on the sticker on the back of the modem.

To connect, choose the Wi-Fi Name on your device, then type in the Wi-Fi Password when prompted. The password is case sensitive.



Connect with a cable


To connect a device, like a laptop or desktop computer, directly to a modem, plug one end of the supplied ethernet (yellow) cable into a yellow LAN port on the back of the modem and the other into your device.

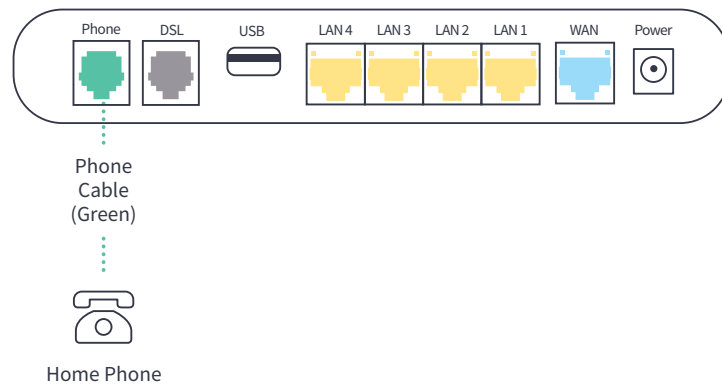


4. Phone set-up

If you have selected an nbn™ home phone, your phone will not work with the standard phone socket. Instead, it will now work via the internet - it's called VoIP (Voice over Internet Protocol). The good thing is you keep your phone number.

You will receive an SMS from us letting you know when your phone service is active, just follow the easy steps below:

- a.** Connect the phone cable between phone port (green) on modem and your home phone. Refer to below diagram.
- b.** Switch the modem off
- c.** Switch the modem back on. Once you see the blue phone light  on the front of your modem, you are ready to make a call.




Having problems?

Your internet connection isn't working

Make sure that all the cables are connected properly, then turn the modem off and back on again. Wait for the blue lights to come on, connect your device either through Wi-Fi or via a cable to check if your internet connection is working.

Your Wi-Fi isn't working

Check the lights on the front and confirm they are on.  If the lights are off press the "Wi-Fi" button on the top of the modem and check to see if this resolves the issue.

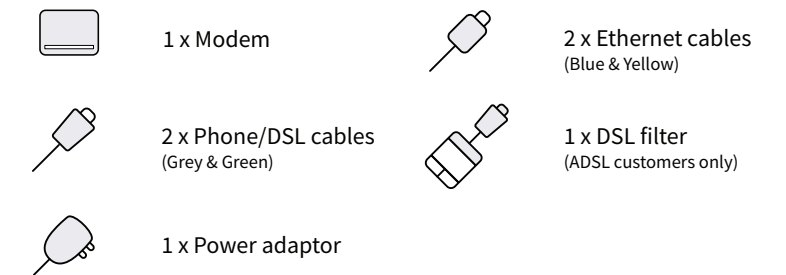
If this does not resolve the issue, turn the modem off and back on again. Try to connect again and make sure that you're using the right password printed on the back of the modem. The password is case sensitive.

Need help?

Refer to your modem packaging for contact options.

Set-up Guide

Box contents



Before you start

Refer to your modem packaging to check if you are ready to begin.

1. Connect the modem

- a.** Look for the coloured sticker on the box. Plug in the cables as per the set up instructions that match your sticker.
- b.** Turn on your modem and wait for the modem lights to turn on.